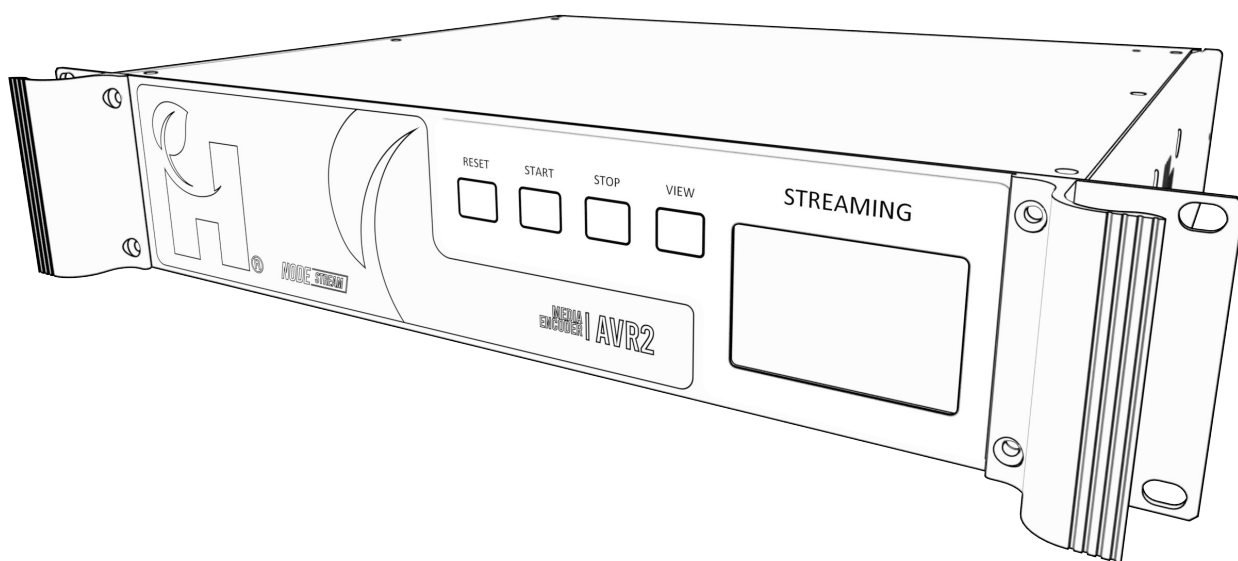


# MEDIA ENCODER | AVR2

## Quick Start Guide

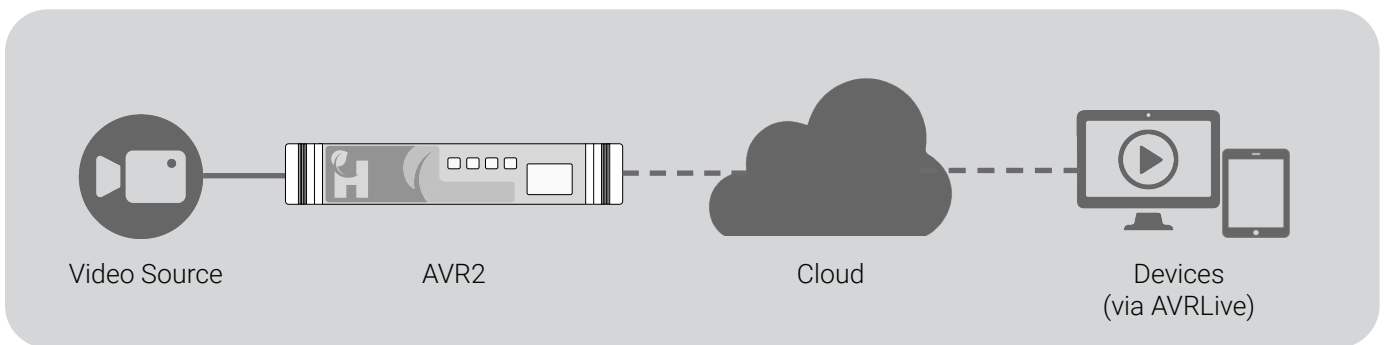


**NODE STREAM™**

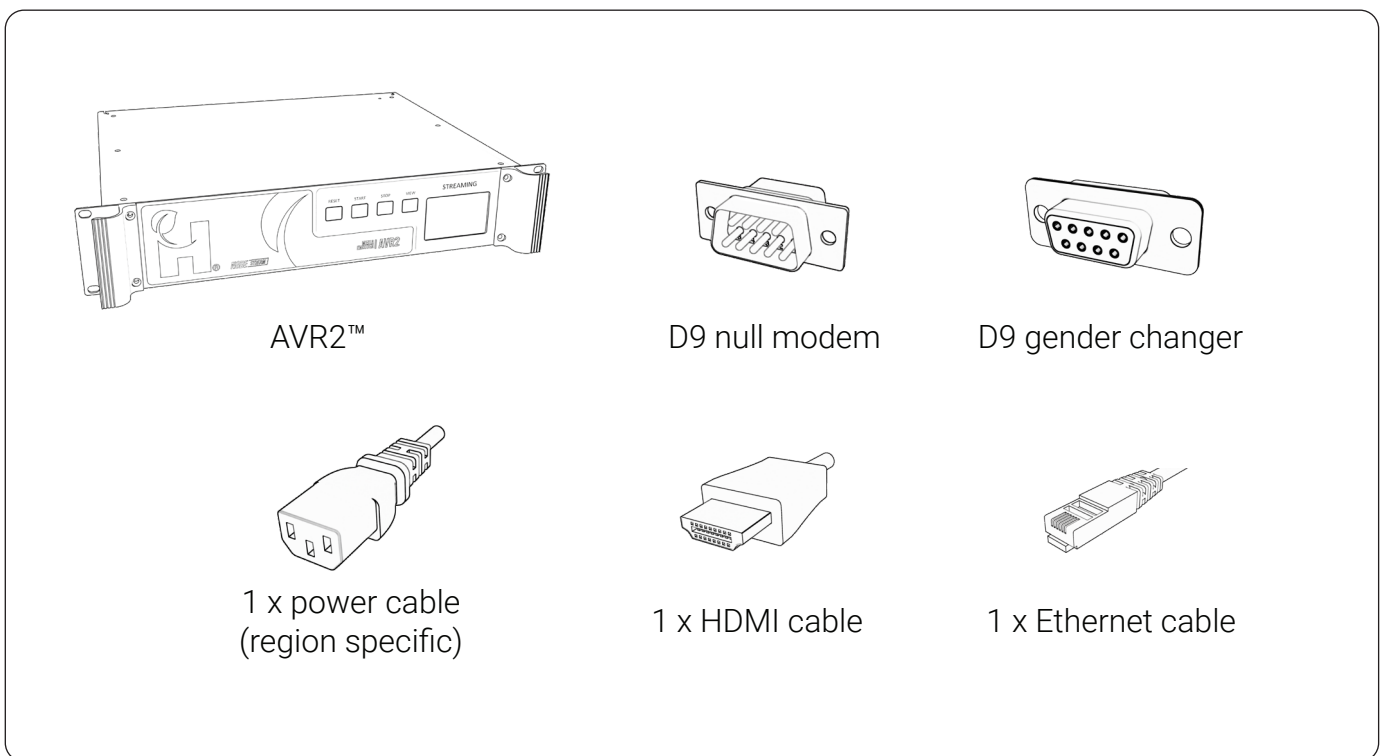
## Welcome to the Nodestream AVR2

Please read these instructions carefully before using this product and save this quick start guide for future reference. See the User Manual for full details via the QR code on the back page.

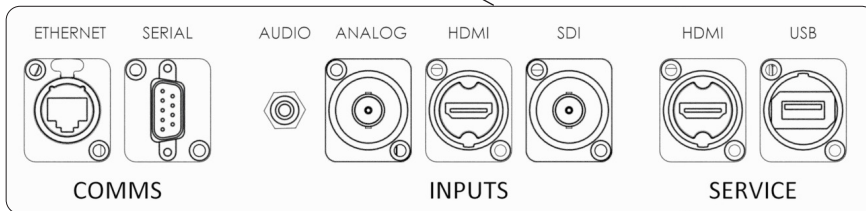
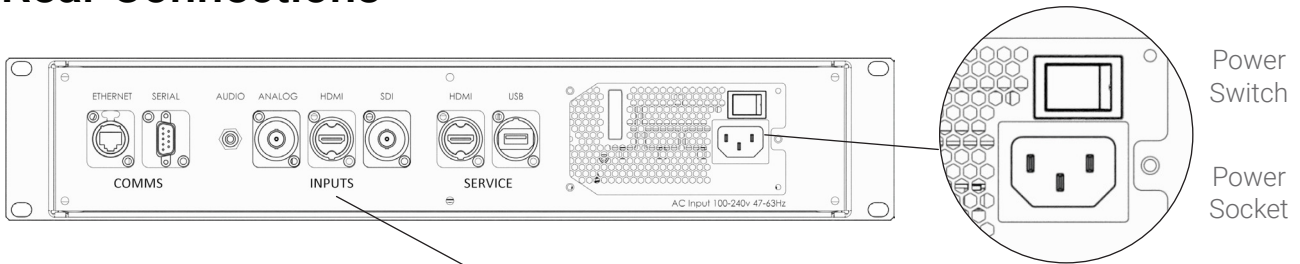
### Multi-cast streaming solution



### In the Box



## Rear Connections

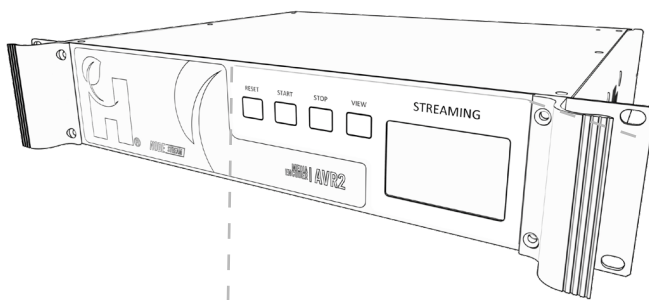


**IMPORTANT:** 100-240VAC 47/63HZ only (UPS Recommended)

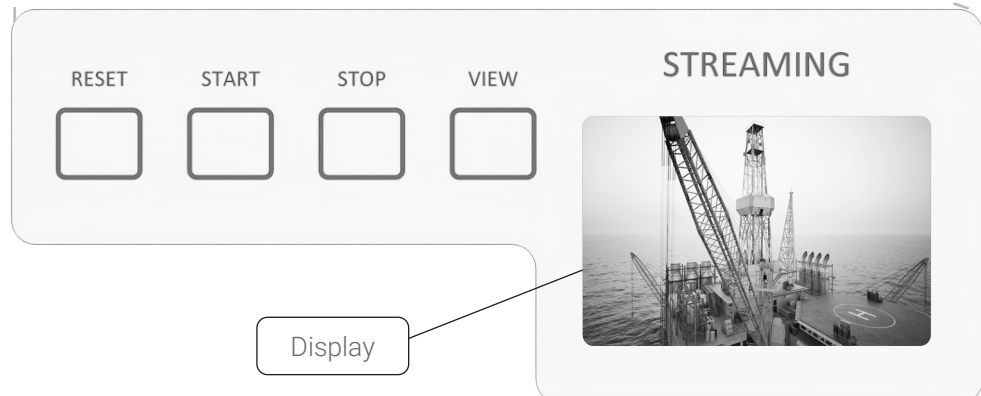


For further information on connections, refer to AVR2 User Manual.

## Front Interface



**RESET** the AVR2 unit  
**START** streaming video and/or data  
**STOP** streaming video and/or data  
**VIEW** the preview screen (display)

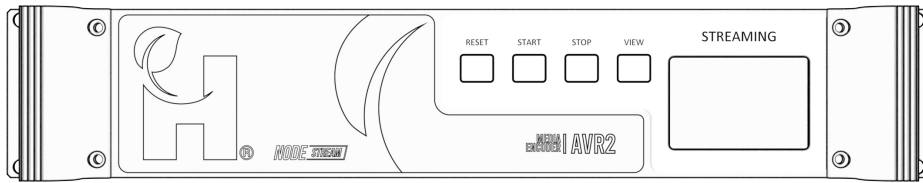


Display

# Installation



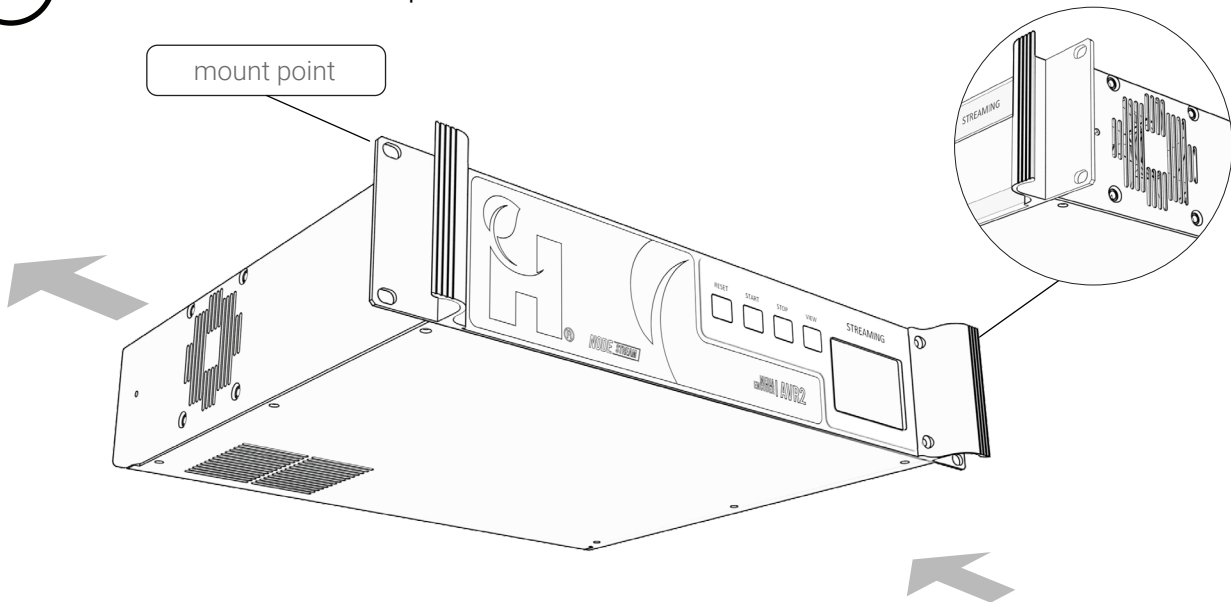
The AVR2 is designed to be mounted in a standard 19" rack and occupies 2U of space



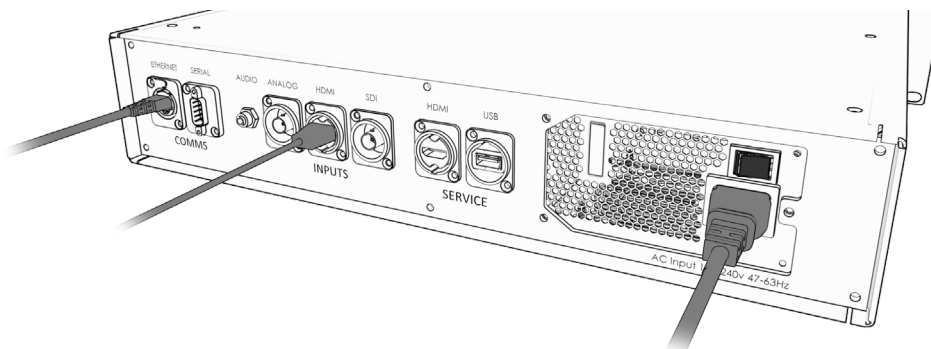
Ensure there is adequate spacing around the AVR2 device for cooling. The cool air travels in the direction as shown by the arrows.

No vertical loading on the AVR2 device.

## 1 Install at all 4 mount points

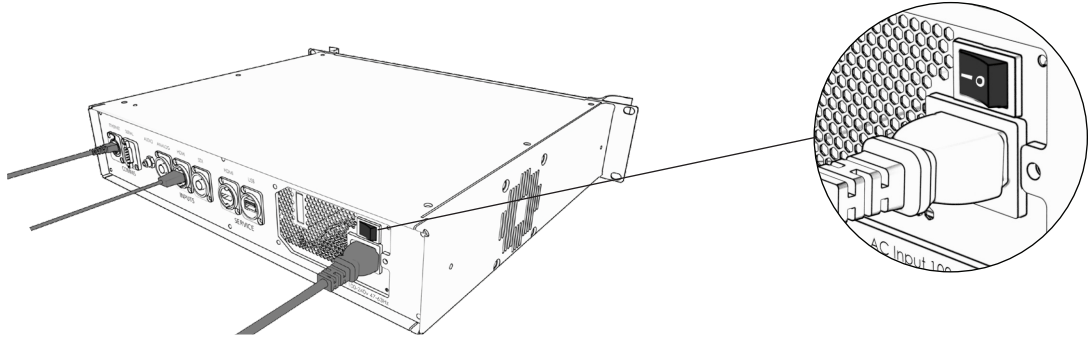


## 2 Connect Ethernet, video source input, and power cable



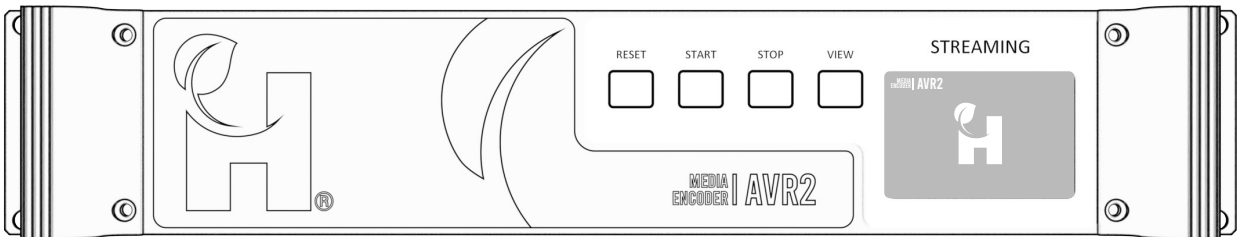
The AVR2 device requires an open Internet connection, refer to the User Manual for information on advanced network configuration

- 1 Switch on the power (on the rear of the AVR2 unit)

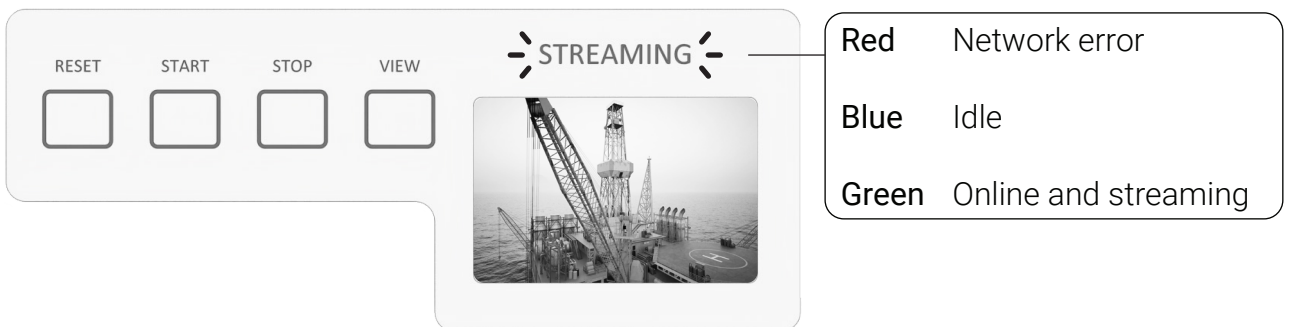


The device is configured to auto start when AC power is applied.

- 2 The LEDs on the interface panel turn on and the display turns on



- 3 Once the unit has powered up, the status is indicated by the STREAMING LED



The display automatically turns off after 5 minutes. Press **View** to wake the display



User Resources



Contact and Support  
[support@harvest-tech.com.au](mailto:support@harvest-tech.com.au)

## Troubleshooting

Issue	Cause	Resolution
Device not powering	PSU switch set to off position AC not connected	Confirm AC connected and switch is in the on position
'No signal' displayed on screen	Video source not connected or powered	Test the video source with an alternate display
	Damaged cable	Change out cable
No network - Streaming LED solid Red	No connection to server	Check Ethernet cable is plugged in  Ensure required firewall ports are unblocked (see User Manual)  Check network settings, contact your network administrator to diagnose network issues



### AVR Live Web Access

AVR2™ Dashboard access: <https://avrlive.com/>

EU REP

Harvest Technology Europe ([colm.mulcahy@harvest-tech-europe.com](mailto:colm.mulcahy@harvest-tech-europe.com) ; +353 87 8126761)  
Suite 4, Eden Gate Business Centre, Delgany, A63 WY44 Wicklow, Ireland

UK REP

Dallas Allardice ([dallas.allardice@harvest-tech.com.au](mailto:dallas.allardice@harvest-tech.com.au) ; +44 7921567416)  
Overton Lodge, Methlick, Ellon, UK, AB41 7HT



Harvest Technology Pty Ltd  
7 Turner Ave, Technology Park  
Bentley WA 6102, Australia  
[harvest.technology](http://harvest.technology)

All rights reserved. This document is the property of Harvest Technology Pty Ltd. No part of this publication may be reproduced, stored in a retrieval system or transmitted in any form or by any means, electronic, photocopy, recording or otherwise without the written consent of the CEO of Harvest Technology Pty Ltd.